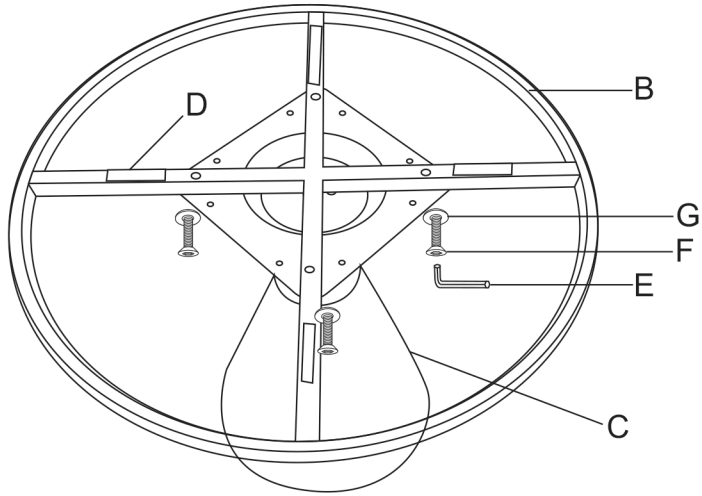


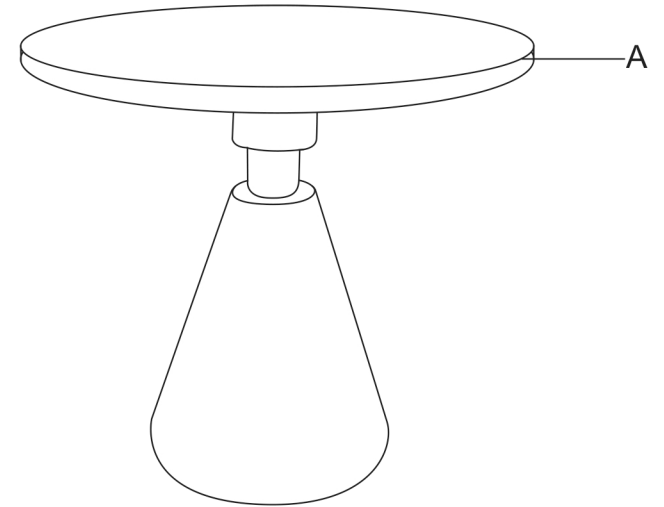
# GREIS

TYP 1

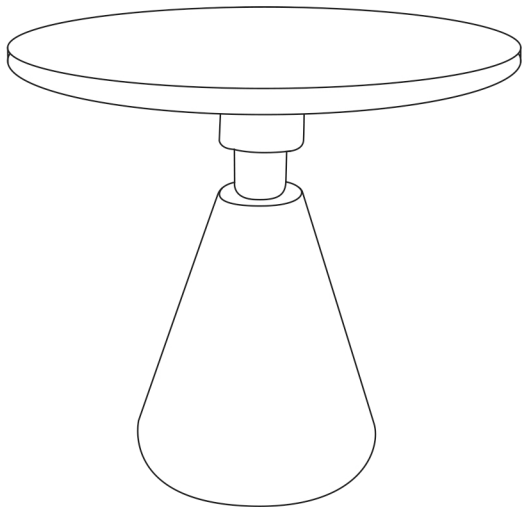
1



2



3



Ax1



Bx1



Cx1



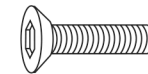
Dx6



Ex1



Fx4



Gx4

